



HCDS PLANTER BOX SCREENS

Looking for a screen like no other? Our HCDS Planter Boxes Screens are a unique product to the market. These decorative privacy screens come with compartments built for plants and make the screen extra sturdy and also can come with lockable castor wheels for easy mobility.

Features

- > Wind resistant
- > Stable
- > Customizable
- > Designed with HCDS Smart Frame

Material

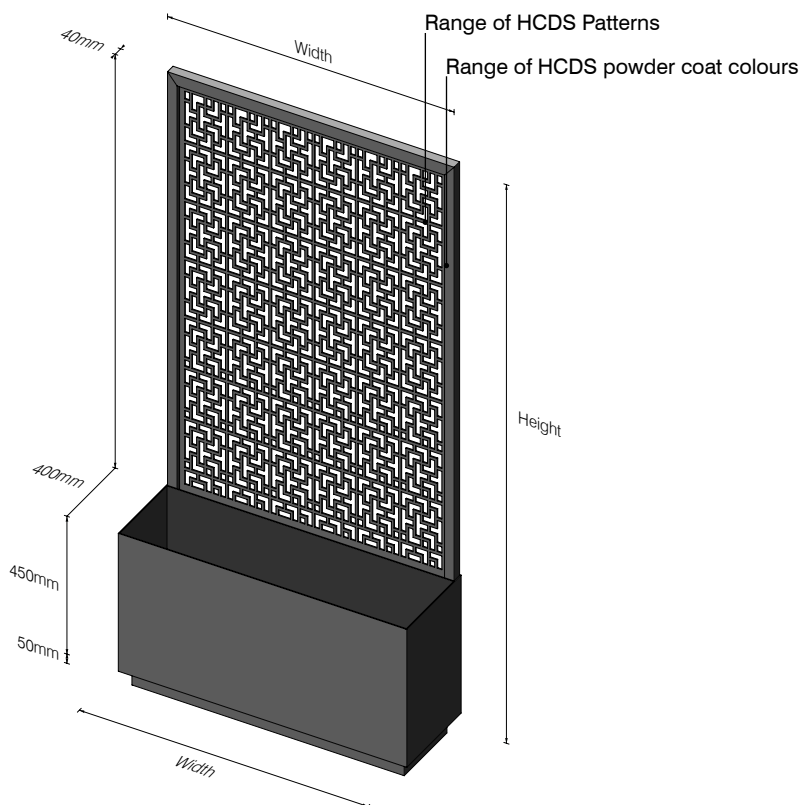
- > Aluminium

Standard Sizes

- > w600mm x h2100mm x d400mm
- > w800mm x h2100mm x d400mm
- > w1000mm x h2100mm x d400mm
- > w1200mm x h2100mm x d400mm

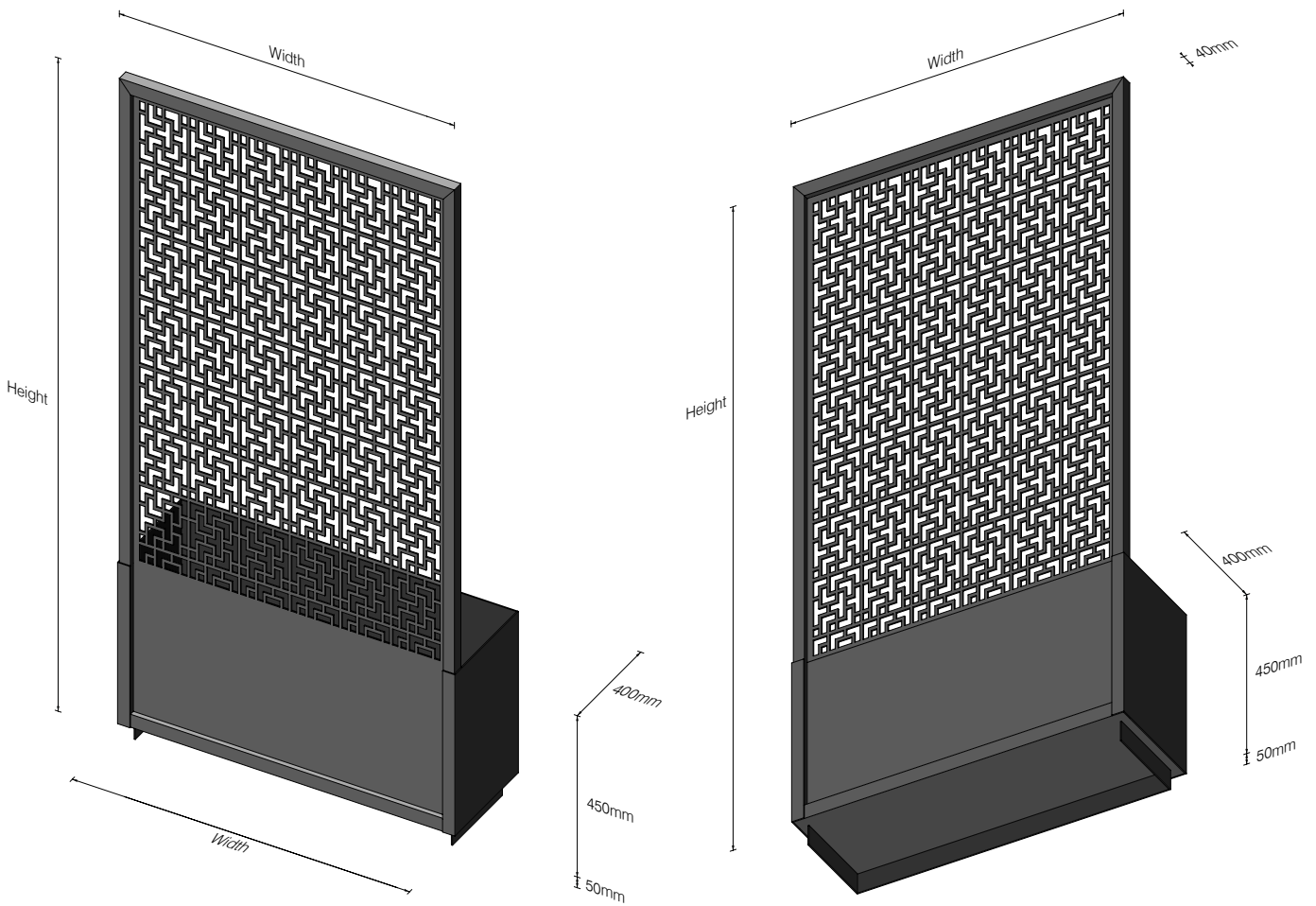
Lead Time

- > Standard 8 to 10 Weeks
- > Express Service Available





HCDS PLANTER BOXES DETAILS



Back View

Bottom View